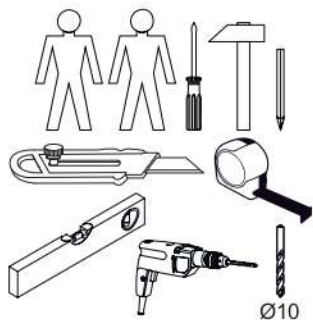
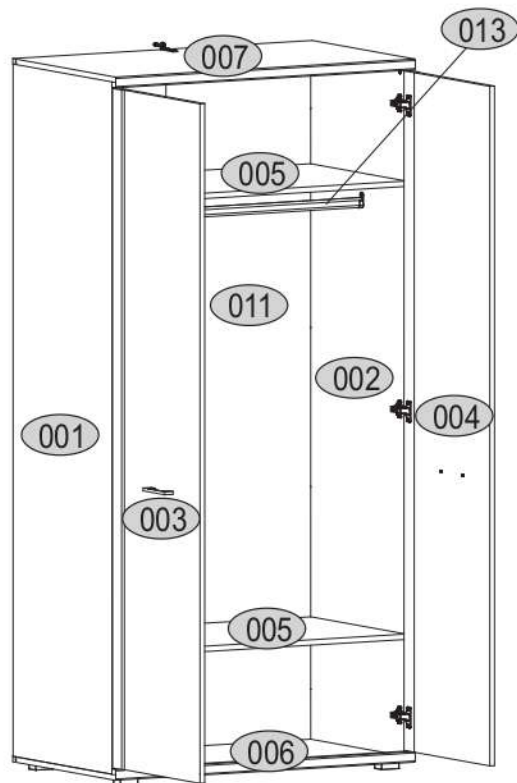
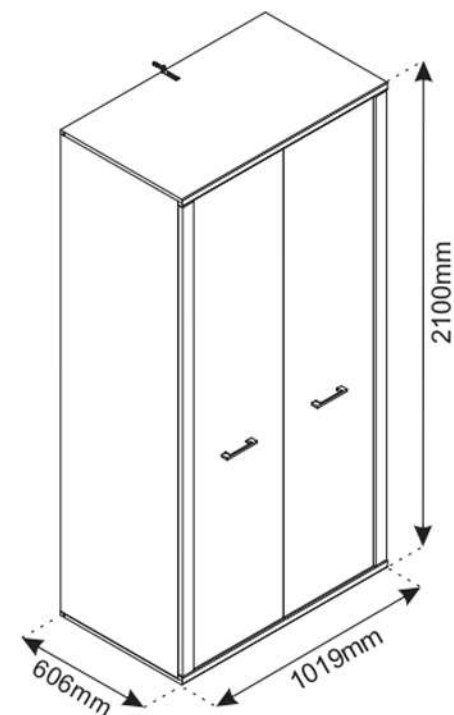
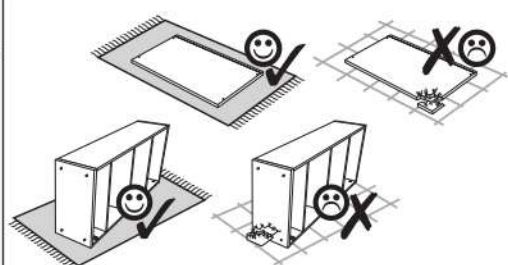
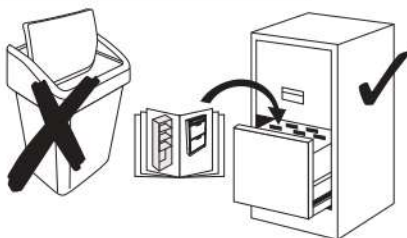




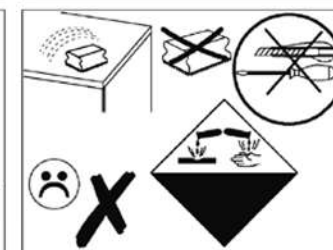
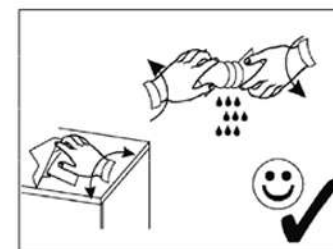
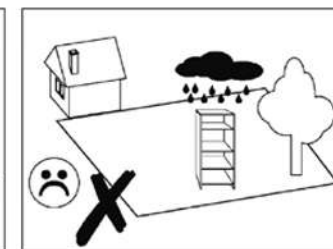
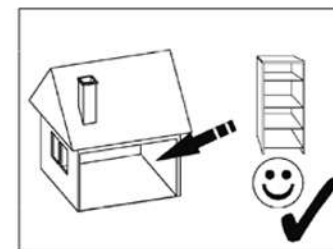
CONRAD 2D (omara)



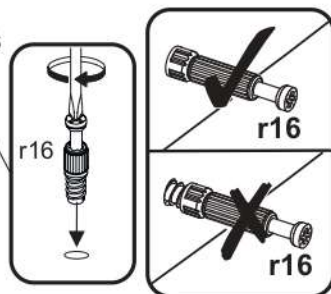
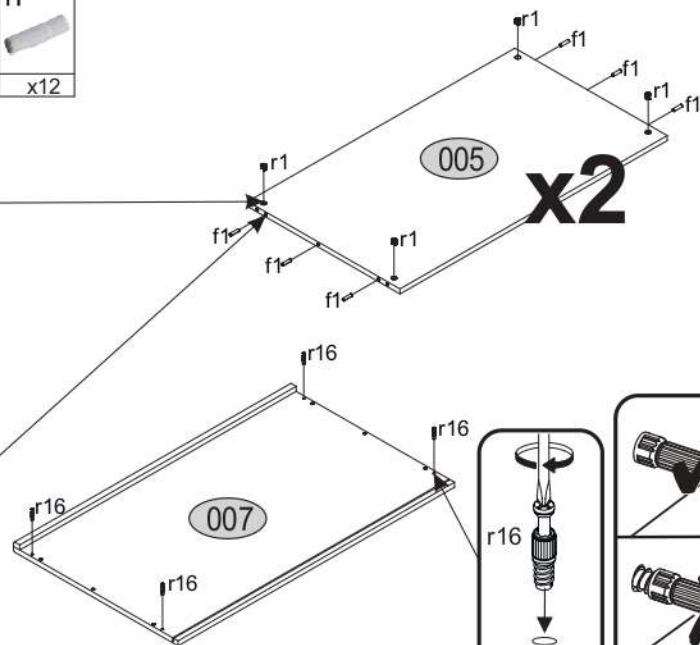
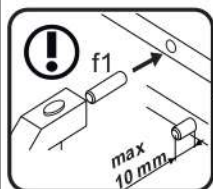
KODA	DIMENZIJE			PAKET	
001	2048	583	16	1	2/3
002	2048	583	16	1	2/3
003	2010	505	16/22	1	3/3
004	2010	505	16/22	1	3/3
005	984	561	16	2	1/3
006	1018	606	16/32	1	1/3
007	1018	606	16/32	1	1/3
011	2066	501	2,5	2	2/3
013	979	30	16	1	1/3
DODATKI				1	1/3



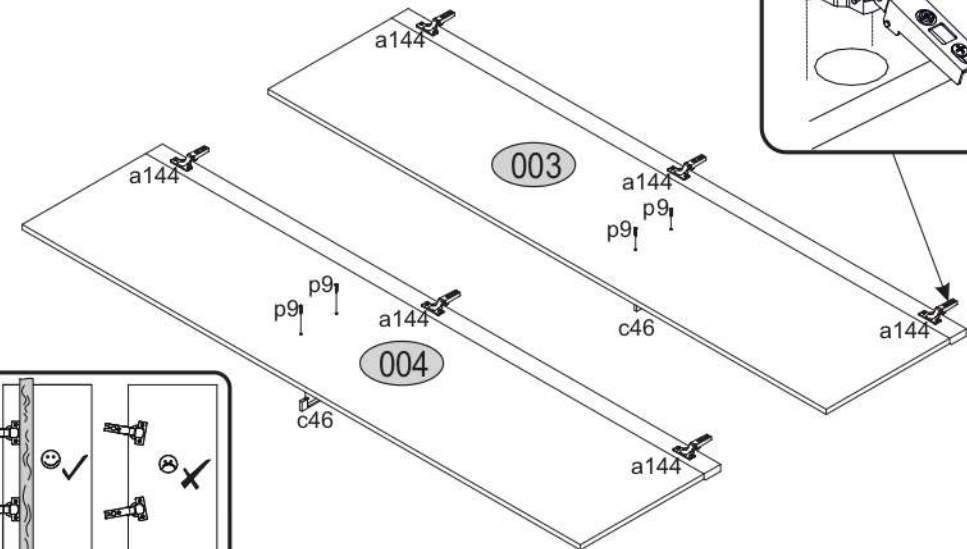
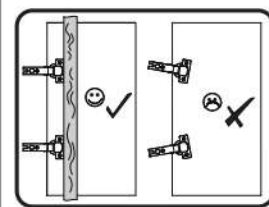
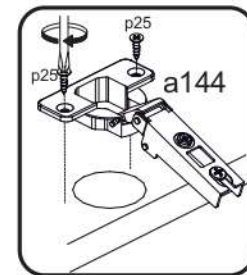
4x e1 $\varnothing 7 \times 50$ 	24x f1 $\varnothing 8 \times 30$ 	1x f3 	1x n14 
1x p17 $\varnothing 6 \times 50$ 	32x p25 $\varnothing 3.5 \times 16$ 	12x r1 15x12 	12x r16 $\varnothing 5 \times 24$ 
12x s2 	1x z1 	4x p9 	8x p18 
2x n260.01 	4x k311.05 	2x c46 	12x l2 
6x a144 	6x b119 	2x n301 	



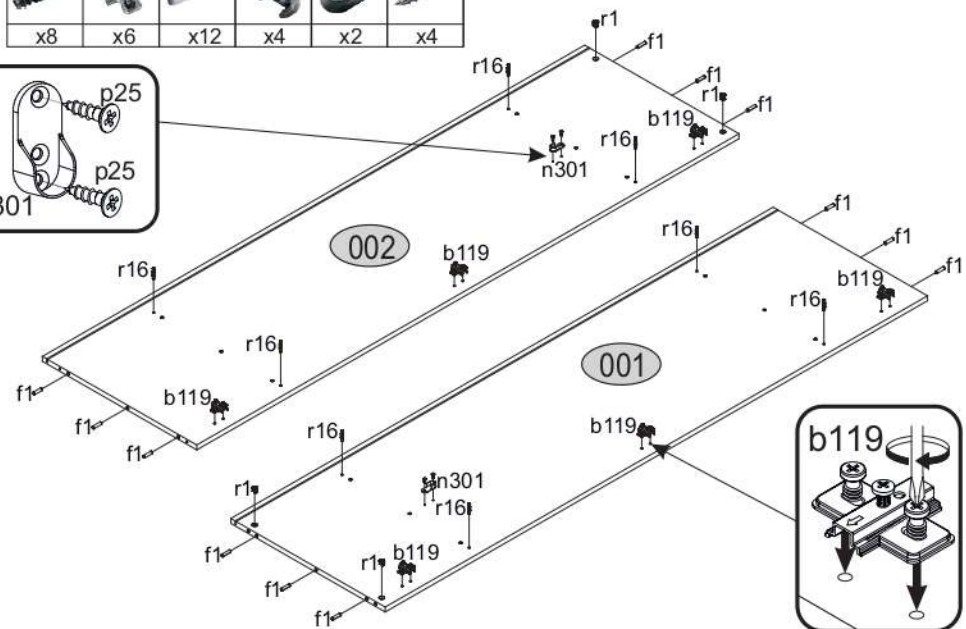
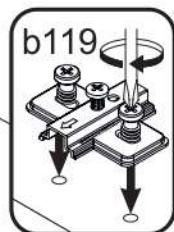
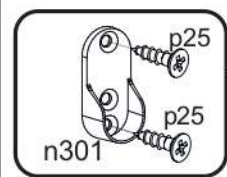
1	r1 x8	r16 x4	f1 x12
----------	-----------------	------------------	------------------



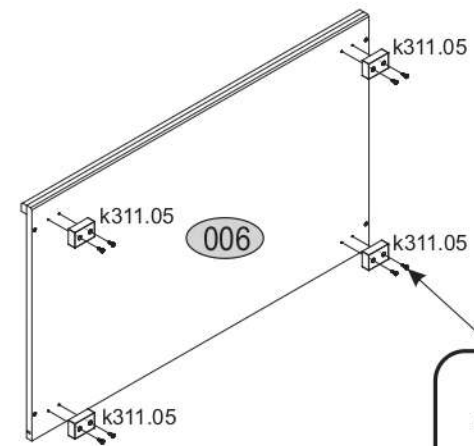
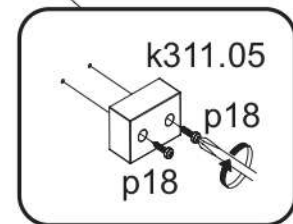
2	a144 x6	p25 x12	c46 x2	p9 x4
----------	-------------------	-------------------	------------------	-----------------



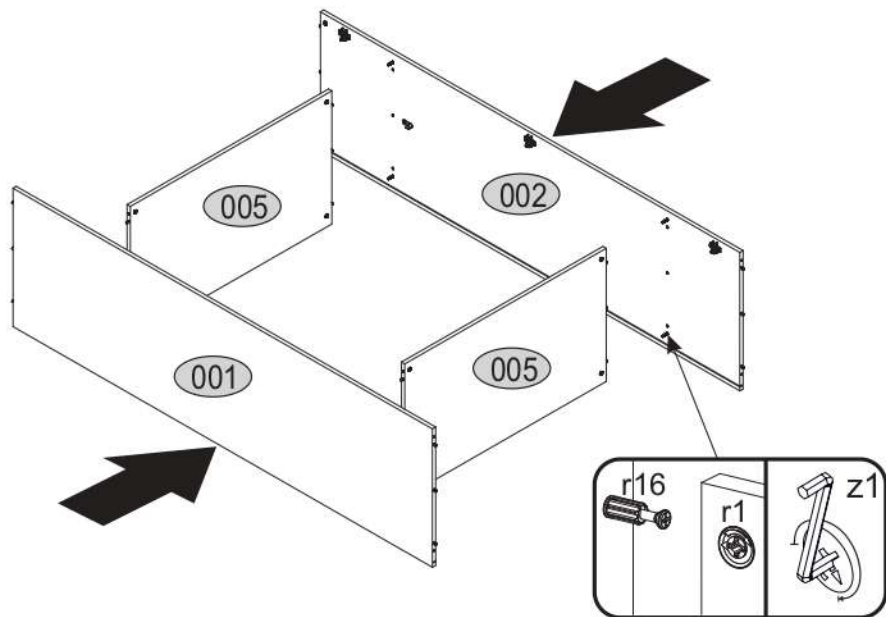
3	r16 x8	b119 x6	f1 x12	r1 x4	n301 x2	p25 x4
----------	------------------	-------------------	------------------	-----------------	-------------------	------------------



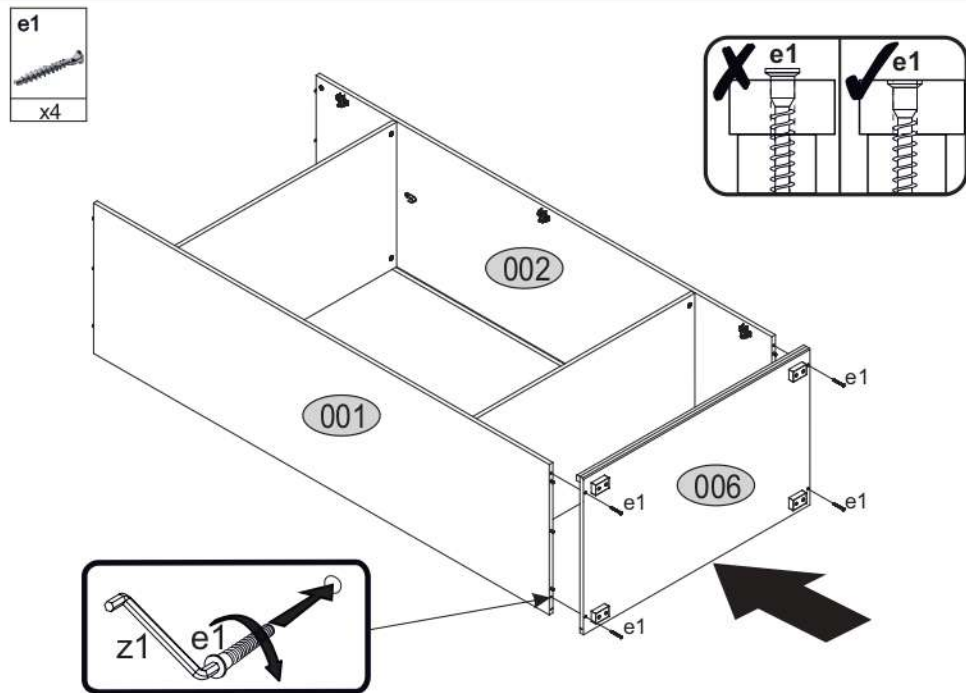
4	k311.05 x4	p18 x8
----------	----------------------	------------------



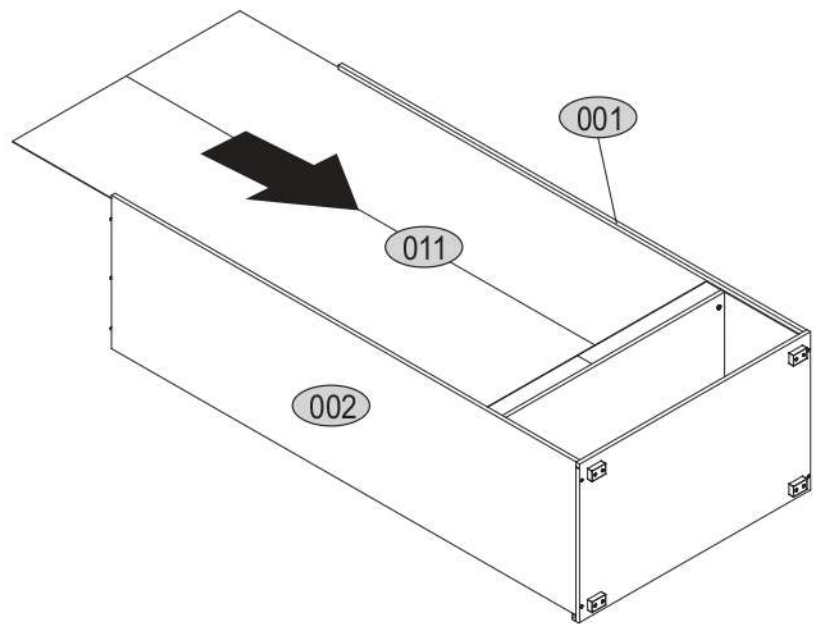
5



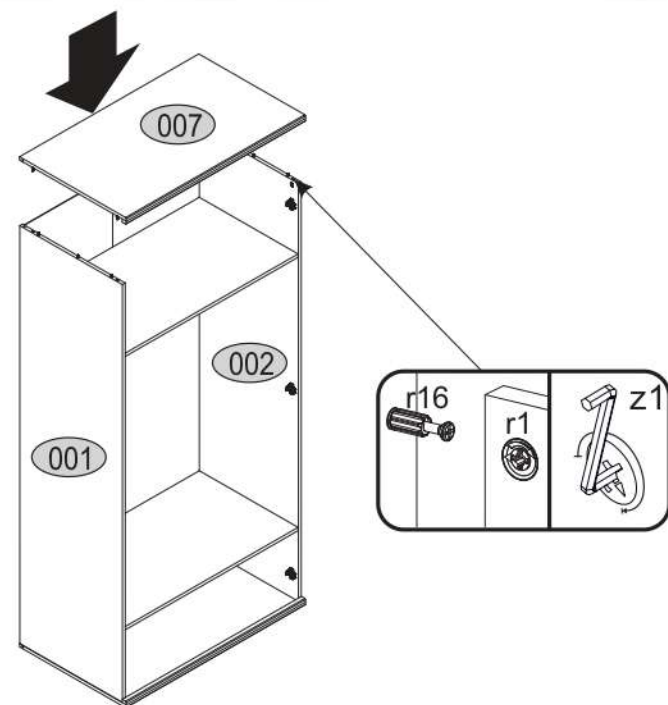
6



7

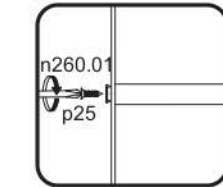
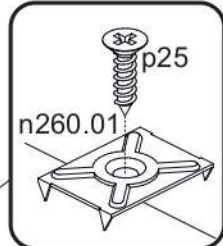
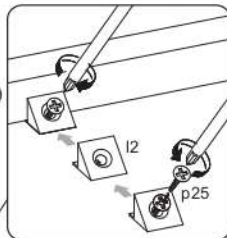
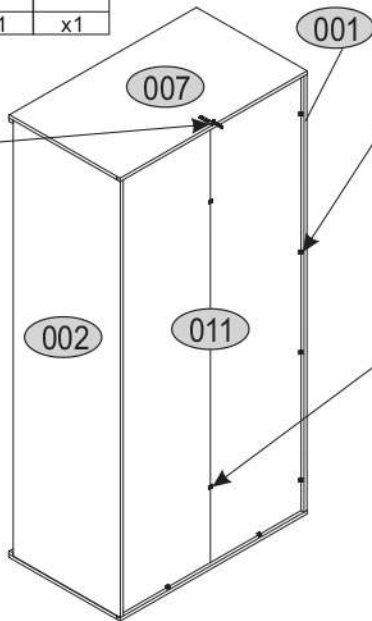
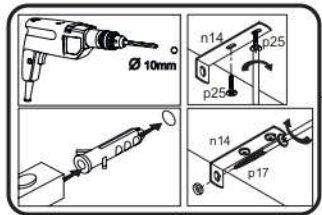


8



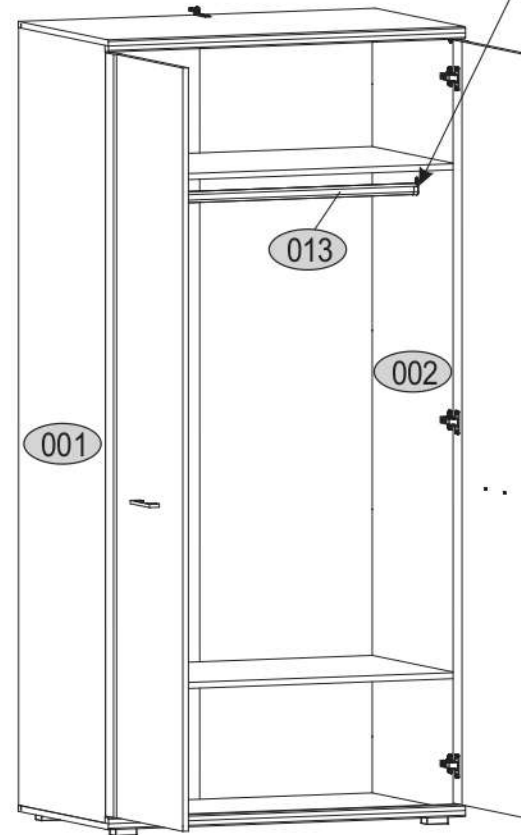
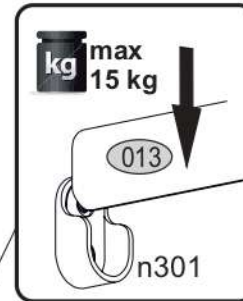
9

p25	l2	n260.01	n14	f3	p17
x16	x12	x2	x1	x1	x1



11

s2
x12



10

